



The Best Quality Plumbing Collection



OPAL


Brass Compression Fittings

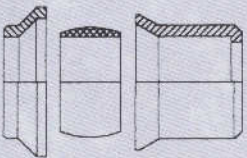
BS864~Part 2 & EN1254-2&4




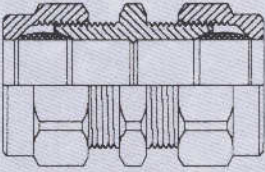
OPAL Compression Fittings

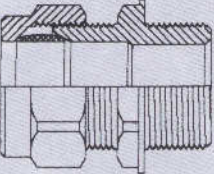
BS864 Part 2 Type A & EN1254 - 2 & 4

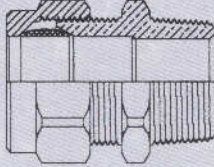
Compression Ring	Dimensions
	10
	15
	22
	28
	35
	42
	54

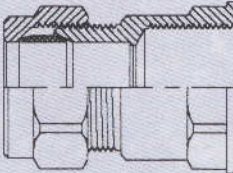
Internal Reducer	Dimensions
	22x15
	28x15
	28x22
	35x22
	35x28
	42x22
	42x28
	42x35
	54x28
54x35	
54x42	

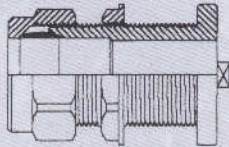
Compression Nut	Dimensions
	10
	15
	22
	28
	35
	42
	54

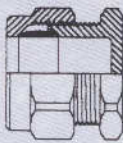
CxC Coupler	Dimensions
	10x10
	15x15
	15x10
	22x22
	22x15
	28x28
	28x15
	28x22
	35x35
	35x15
	35x22
	35x28
	42x42
	42x15
	42x22
	42x28
	42x35
	54x54
	54x15
54x22	
54x28	
54x35	
54x42	

CxMI Coupler	Dimensions
	10x1/2"
	15x1/2"
	15x1/4"
	15x3/4"
	22x3/4"
	22x1/2"
	28x1/2"
	28x3/4"
	35x1/2"
	35x3/4"
	42x1/2"
	42x3/4"
	54x1/2"
54x3/4"	

CxMI(BSPT) Coupler	Dimensions
	15x1"
	15x1.1/4"
	15x1.1/2"
	15x2"
	22x1"
	22x1.1/4"
	22x1.1/2"
	22x2"
	28x1"
	28x1.1/4"
	28x1.1/2"
	28x2"
	35x1.1/4"
	35x1"
	35x1.1/2"
35x2"	
42x1.1/2"	
42x1"	
42x1.1/4"	
42x2"	
54x2"	
54x1"	
54x1.1/4"	
54x1.1/2"	

CxFI Coupler	Dimensions
	10x3/8"
	10x1/2"
	15x1/2"
	15x1/4"
	15x3/8"
	15x3/4"
	22x3/4"
	22x1/2"
	22x1"
	28x1"
	28x3/4"
	28x1.1/4"
	35x1.1/4"
	35x1/2"
	35x1"
	35x1.1/2"
	42x1.1/2"
	42x1.1/4"
	42x2"
54x2"	
54x1.1/2"	

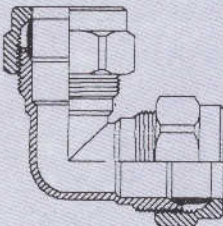
Tank Connector	Dimensions
	15
	22
	28
	35
	42
	54

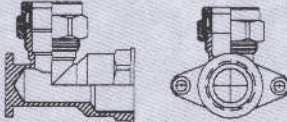
Stop End	Dimensions
	10
	15
	22
	28
	35
	42
54	

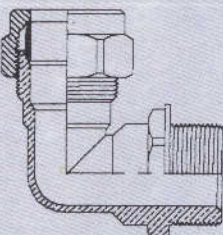


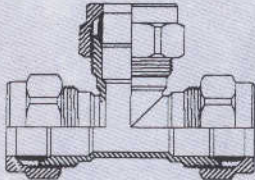
OPAL Compression Fittings

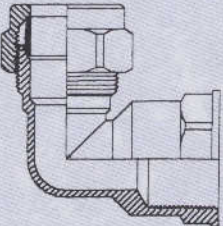
BS864 Part 2 Type A & EN1254 - 2 & 4

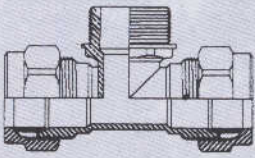
Catalogue:	Dimensions
CxC Elbow 	10x10
	15x15
	15x10
	22x22
	22x15
	28x28
	28x15
	28x22
	35x35
	35x15
	35x22
	35x28
	42x42
	42x15
	42x22
	42x28
	42x35
	54x54
	54x15
	54x22
54x28	
54x35	
54x42	

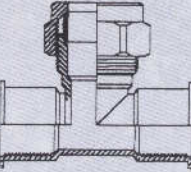
Catalogue:	Dimensions
CxFI Wallplate Elbow 	15x1/2"
	15x3/4"
	22x3/4"
	22x1/2"

Catalogue:	Dimensions
CxMI Elbow 	10x1/2"
	15x1/2"
	15x3/4"
	22x3/4"
	22x1/2"
	22x1"
	28x1"
	28x1/2"
	28x3/4"
	35x1.1/4"
	35x1/2"
	35x3/4"
	35x1"
	35x1.1/2"
	42x1.1/2"
	42x1/2"
	42x3/4"
	42x1"
	42x1.1/4"
	54x2"
	54x1/2"
	54x3/4"
	54x1"
	54x1.1/4"
	54x1.1/2"

Catalogue:	Dimensions
CxxC Tee 	10x10x10
	15x15x15
	15x10x10
	15x15x10
	15x15x22
	22x22x22
	22x15x15
	22x15x22
	22x22x15
	22x22x28
	22x22x42
	28x28x28
	28x15x15
	28x15x28
	28x22x15
	28x22x22
	28x22x28
	28x28x15
	28x28x22
	35x35x35
	35x28x28
	35x35x15
	35x35x22
	35x35x28
	35x35x42
42x42x42	
42x35x35	
42x42x15	
42x42x22	
42x42x28	
42x42x35	
42x42x54	
54x54x54	
54x42x42	
54x54x15	
54x54x22	
54x54x28	
54x54x35	
54x54x42	

Catalogue:	Dimensions
CxFI Elbow 	10x1/4"
	15x1/2"
	15x3/4"
	22x3/4"
	22x1/2"
	22x1"
	28x1"
	28x1/2"
	28x3/4"
	35x1.1/4"
	35x1/2"
	35x3/4"
	42x1.1/2"
	42x1/2"
	42x1"
	54x2"
	54x1/2"

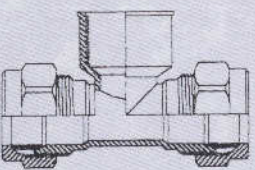
Catalogue:	Dimensions
CxCxMI Tee 	15x15x1/2"
	22x22x3/4"
	22x22x1/2"
	28x28x1"
	28x28x1/2"
	28x28x3/4"
	35x35x1/2"
	42x42x1/2"
	42x42x3/4"
	42x42x1.1/2"

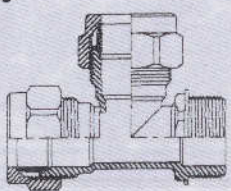
Catalogue:	Dimensions
FlxFlxC Tee 	3/4"x3/4"x22
	3/4"x3/4"x28
	3/4"x3/4"x42
	1"x1"x35
	1"x1"x42

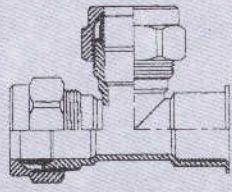


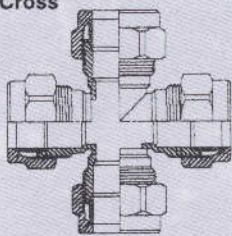
OPAL Compression Fittings

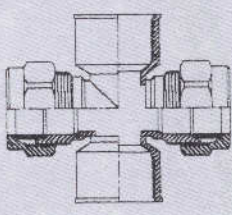
BS864 Part 2 Type A & EN1254 - 2 & 4

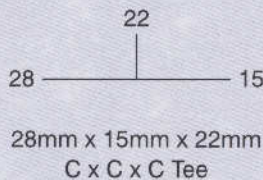
	Dimensions
	15x15x1/2"
	15x15x3/4"
	22x22x3/4"
	22x22x1/2"
	28x22x3/4"
	28x28x1/2"
	28x28x3/4"
	35x28x1/2"
	35x28x3/4"
	35x35x1/2"
	35x35x3/4"
	35x35x1"
	42x35x3/4"
	42x42x1/2"
	42x42x3/4"
	42x42x1"
	42x42x1.1/4"
	54x54x1/2"
54x54x3/4"	
54x54x1"	
54x54x1.1/4"	
54x54x1.1/2"	

	Dimensions
	15x1/2"x15
	22x1/2"x22
	28x1/2"x28
	28x3/4"x28

	Dimensions
	15x1/2"x15
	22x3/4"x22
	22x1/2"x22
	28x1/2"x28

	Dimensions
	28x28x28x28
	28x28x22x22
	35x35x22x22
	35x35x28x28
	42x42x22x22
	42x42x28x28
	54x54x22x22
54x54x28x28	


	Dimensions
	28x28x3/4"x3/4"
	35x35x3/4"x3/4"
	42x42x3/4"x3/4"
	54x54x3/4"x3/4"



Maximum Working Temperature And Pressure

Service Temp	Hydraulic Pressure
30 C	16 Bar
65 C	10 Bar
110 C	6 Bar

All MI (Male Iron) and FI (Female Iron) end are screwed BSP parallel thread.

Sole Agent :  **Bun Kee (International) Limited**
 12/F., Phase 1, Austin Tower
 22-26 Austin Avenue, T.S.T. Kowloon
 Tel:(852)2728 7237 Fax:(852)2387 2999